



BOBMAN PRO INSTRUCTIONS



UK 47-2011



READ BEFORE USE!



INTRODUCTION

Thank you for your interest in the Jydeland Bobman. We trust you will gain a lot of satisfaction from your purchase for many years and that your Bobman will fulfil your expectations.

Please read these instructions before using the machine.

The primary functions, maintenance and safety will be covered in the following pages. This is a product for professional use only. Instructions in use of the machine comply with the checklist enclosed, which can also be used for a service agreement. If further training or a follow-up visit are required, please contact Jydeland A/S .

Enjoy!





WARNING

WARNING

A Bobman can only be used outdoors or in a well-ventilated room, as the exhaust gas contains highly toxic CO².

The machine can only be operated by the driver sitting in the driver's seat with at least one hand always on the steering wheel and both feet resting on the foot rests or pedals.

Do not start machine if any covers are removed or defective.

Not suitable for use on very hilly terrain due to risk of tipping over. That risk is increased significantly when appliances are attached.

Noise level for normal use exceeds 80db. The use of ear protectors is recommended.

We recommend that the operator wears a dust mask for spreading work.

The Bobman is for professional use by trained personnel only.

WARNING SYMBOLS

There are yellow warning stickers on the machine indicating where extra caution must be exercised. These are instructions. Always use the machine with care.

Caution! Always accompanied by another pictogram.

Read in instruction book.

Large rotating screw conveyor. Risk of crushing. Keep arms and legs clear. Machine must be switched off when working on the parts referred to by this pictogram.

Small rotating screw conveyor. Risk of trapping hands. Machine must be switched off when working on the parts referred to by this pictogram.

Rotating blower. Machine must be switched off when working on the parts covered by this pictogram.

Crushing function. Risk of crushing. Keep arms and legs clear. Exercise caution when using this function.

Hearing protectors and goggles. Recommended when operating the machine.



Operation

Implement

Raises and lowers
implement

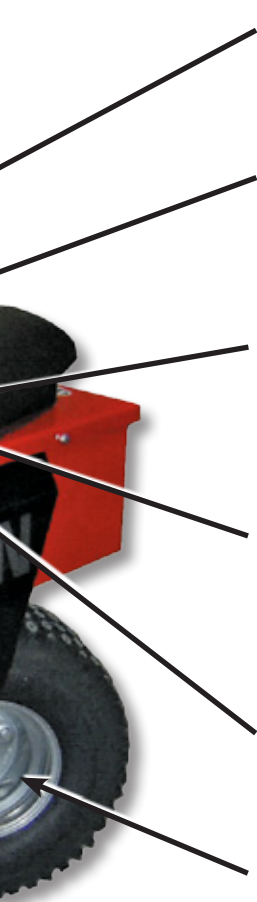
A frame

Press pedal on right
for forwards and lift
pedal for reverse.

A frame

For mounting
implements:





Starting diesel engine

Use the key under the steering wheel.

Throttle handle

Engine RPM

Hydraulics

Hydraulics for rotation of e.g. brush.

Battery

12 V sealed battery. Keep terminals clean.

Fuel

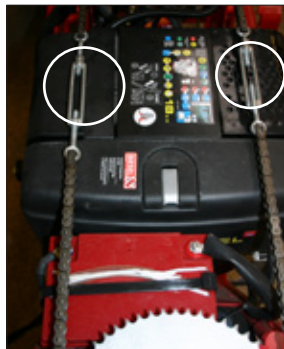
Raise seat to fill fuel tank.

Extra weight for back wheel

A weight can be fitted to the back wheel.

Solid wheel

Available with solid wheel.



Steering

Back wheel is turned by chains from steering wheel passing under seat. Remove seat and top panel to adjust.

Maintenance

Cleaning

Always keep engine clean - use compressed air if necessary. Avoid blowing directly into air filter. Replace air filter often to avoid reducing engine power due to dust in air. The machine can also be cleaned by high pressure washer, but never aim jet directly at air filter, breather pipe for hydraulics under seat, diesel filler cap, wiring and electronics.

Tightening up and damage

Tightening up screws and bolts must be done regularly.

Always repair any damage immediately after discovery.

Weekly check

Check there is sufficient oil in engine (W15-40).

Monthly check

Check level of hydraulic oil in sight glass on right side of machine (HV32).

Lubrication

Lubricate steering chain with oil (spray-on chain oil is recommended). Lubricate ball joints with no grease



nipple and universal joint on steering column with oil. kugleled som ikke har nipler smøres også med olie.

Hydraulic oil

Hydraulic oil level must be in centre of sight glass.

Replace hydraulic oil after analysis or 2000 hours.

Fill hydraulic oil (HV32) at filter on right side of hydraulic oil tank.

Hydraulic oil filter

Change hydraulic oil filter first time after 50 hours and thereafter every 500 hours or once annually. **NB:** if oil colour is milky white, there is water in the system. **Change oil.**

Steering

Back wheel is turned by chains from steering wheel passing under seat. Remove seat and top panel to adjust.

Battery

12 V sealed battery. Keep terminals clean.

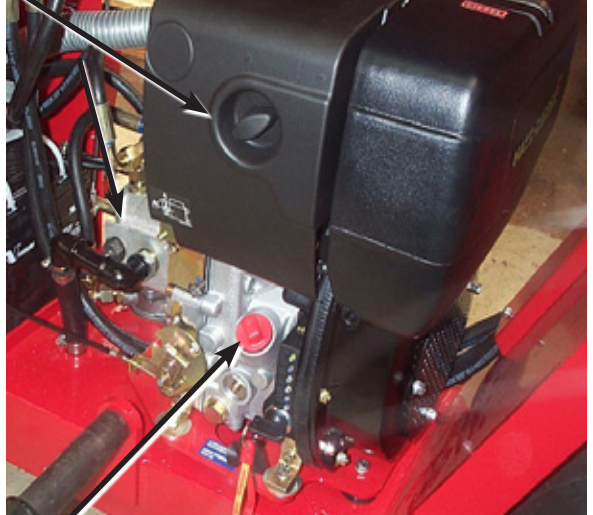
Hatz

Air filter

Change air filter if blocked. Blow filter clean from inside out. Engine will overheat if filter is blocked, reducing air intake. It will produce a lot of smoke, traction power will be reduced and fuel consumption increase.

Fuel filter

Change fuel filter before it becomes fuel blocked or once annually to avoid problems starting. Fuel filter is in bottom of tank via suspended by a cord from the lid.



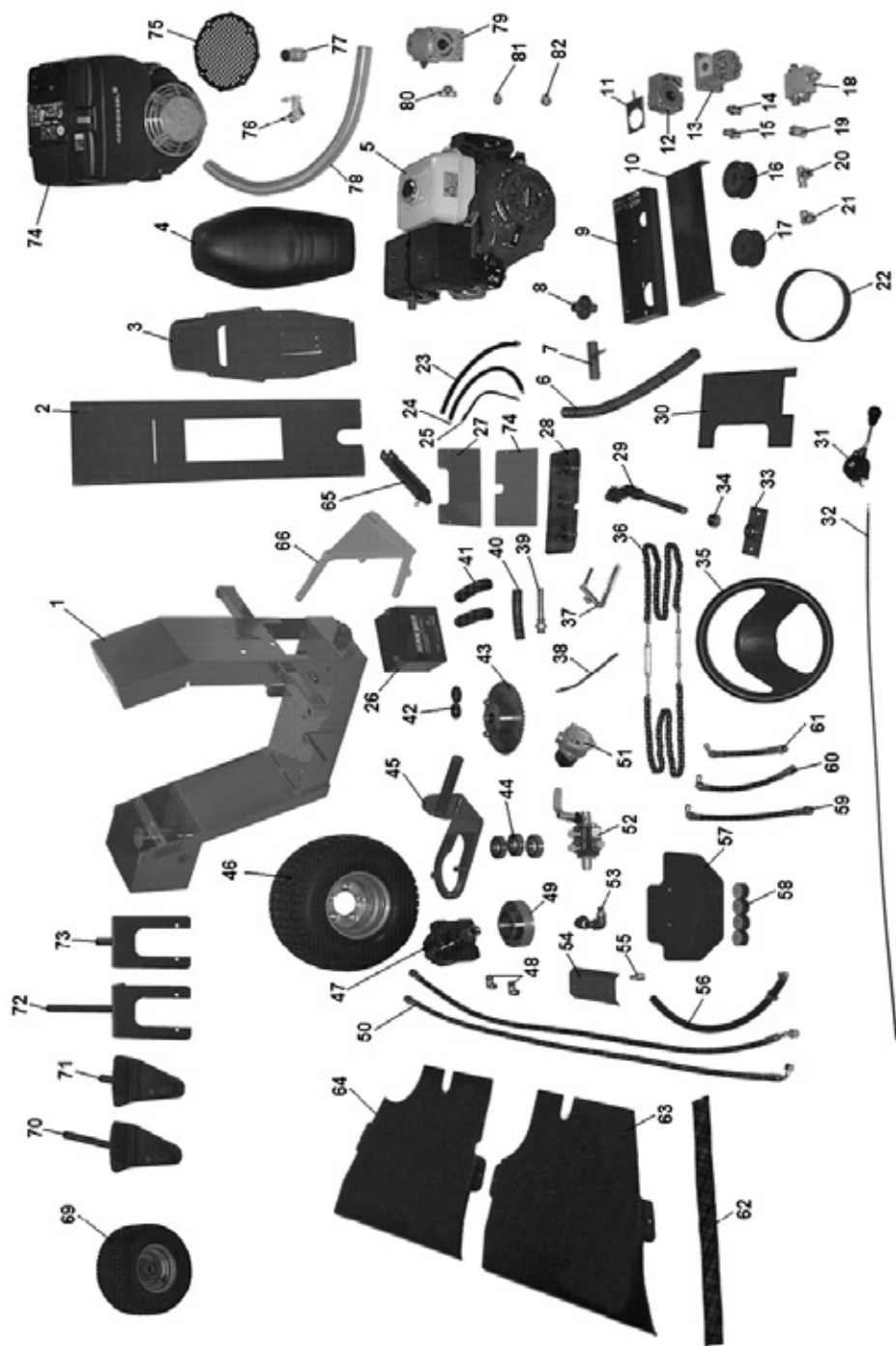
Engine oil

Check oil level. Change engine oil (W15-40) first time after 50 hours and thereafter every 200 hours or once annually. Check engine oil and refill on left side of engine.

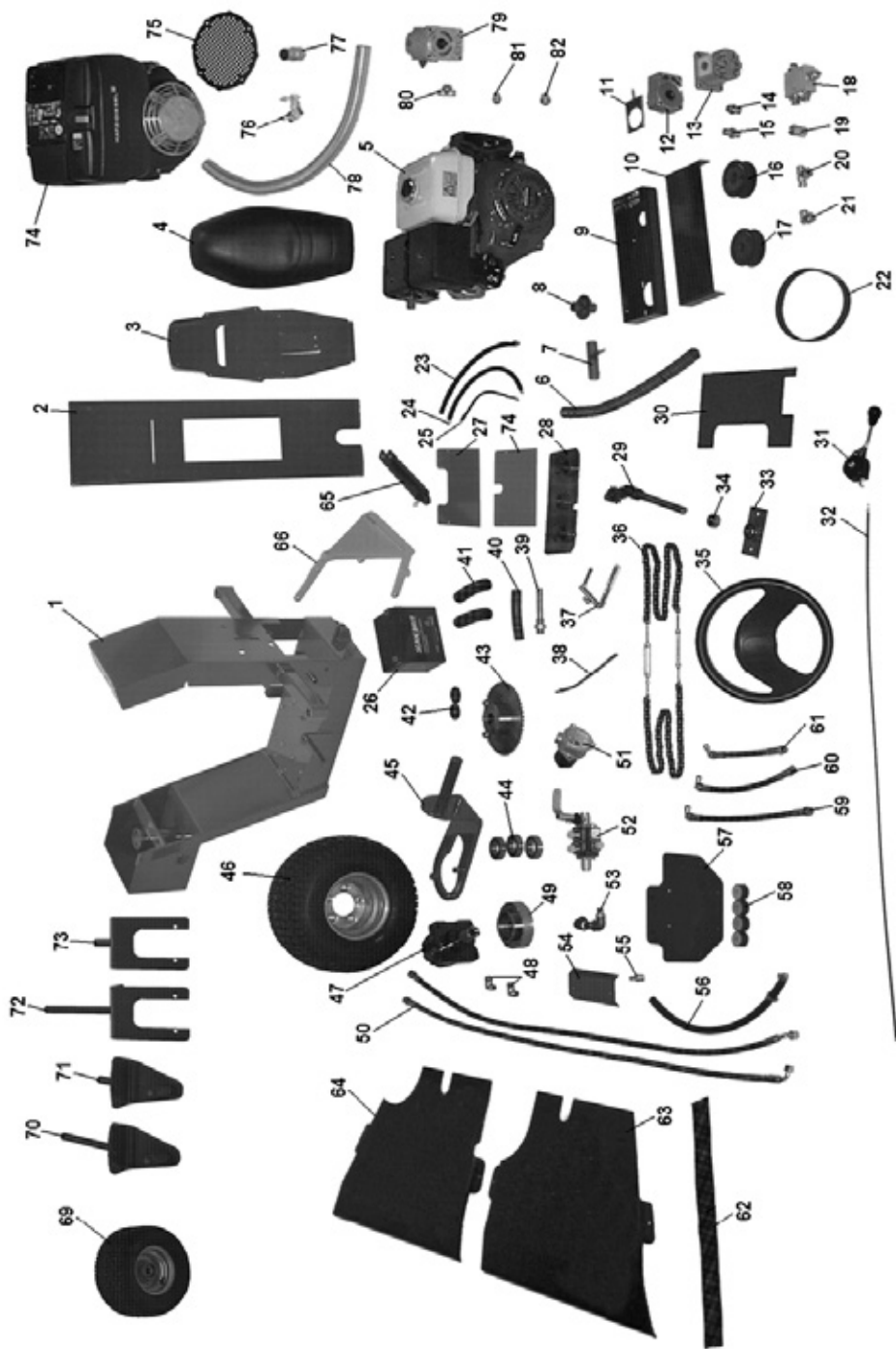
Fuel

Diesel fuel filler cap under seat. Open seat access tank.

Bobman Pro



Varenr	Navn	Engelsk
1	790000 Bobman Pro chassis	Bobman Pro chassis
2	790001 Sædeskjold Bobman Pro/Strø	Siettopplait Bobman Pro/speed
3	790002 Sædeholder til Bobman Pro/Strø	Sietplait for Bobman Pro/speed
4	790003 Sæde til Bobman Pro/Strø	Siet for Bobman Pro/speed
5	790004 Honda GX 390 13 Hk m. selvstart	Honda Gx390 13HP with Electric start
5A	780023 Tændrør BPR6ES	Plug BPR6ES
5B	790116 Luftfilter til Honda 13 Hk	Airfilter for Honda 13HP
5C	790117 Lydporre til Honda 13 Hk	Muffler for Honda 13HP
6	790005 Flexrør for udstødning for Honda	Flexpipe for muffler for Honda
7	790006 Udstødning bagende for Honda	Muffler bagend for Honda
8	790007 Udstødning på Honda	Muffler on Honda
9	790008 Holder for hydr. pumpe Bobman Pro	Basis for hydr. pump Bobman Pro
10	790009 Skærm for hydr. pumpe Bobman Pro	Gart for hydr. pump Bobman Pro
11	780125 Remstrammer	Belt tigthen
12	63100007 Lejehus til oliepumpe	Bearinghaus for oilpump
13	780124 Hyd. pumpe Galtech 4,5 ccm	Hydr. pump Galtec 4,5 ccm
14	60120098 Hyd. fittings Ø12 til 3/8";26.00"	
15	790010 Hyd. fittings sugestuds	Hydr. Fittings sugplait
16	780131 Tandremhjul 20tds/1610 m. tapelock	Tithbeltweel 20tds.1610 with tapelock
16A	780129 Tapelock Ø25/1610	Tapelock Ø25/1610
17	780131 Tandremhjul 20tds/1610 m. tapelock	Tithbeltweel 20tds.1610 with tapelock
17A	780128 Tapelock Ø18/1610	Tapelock Ø18/1610
18	790011 Overtryksventil (Alublok)	Overpresserventil (Alublok)
19	790012 Hyd. fittings omvendt samler	Hydr. Fittings turnarrroundcnekter
20	60120087 Hyd. fittings Ø12 T m. omløber på midt	Hydr. Fittings Ø12 T
21	60120085 Hyd. fittings 90° Ø12	Hydr. Fittings 90 degrees Ø12
22	790013 Tandrem 640 8M-B	Teathbelt 640 8 M-B
23	790014 Plus ledning t. benzin, Ø6 i begge ender	Plus cabel for petrol. Ø6 in both ends
24	790015 Plus ledning t. diesel, Ø6 og Ø8	Plus cabel for diesel. Ø6 and Ø8
25	790016 Minus ledning med Ø6 og Ø8	Minus cabel with Ø6 and Ø8
26	790017 Batteri bobman Pro/Strø	Battery for Bobman Pro/Spreeder
27	790018 Bat. dækplade for benzin 3 WD	Battery gard plaid for petrol 3WD
28	790019 Styrekonsol Bobman Pro/Strø	Steringkonsol Bobman Pro/Spreeder
29	780098 Rat aksel	Steringshaft
30	790020 Dækplade ved styrekonsol	Gard plaid for steringkonsol
31	790021 Gashåndtag	Spreeder
32	790022 Gaskabel 750 mm Diesel	Spreederkabel 750 mm Diesel
32A	791022 Gaskabel 1350 mm Benzin/kubota	Spreed kabel 1350 mm
33	790023 Topleje for rataksel	Topbearing for steringshaft
34	790024 Stop for rataksel	Stop for steringshaft
35	780099 Rat bobman	Steringweel
36	790025 Kæde komplet Bobman Pro/Strø	Chains komplit Bobman Pro/Spreeder
37	790026 Gaspedal Bobman Pro/Strø	Speedpedal Bobman Pro/Spreeder
38	790027 Fremdrifts stangforbindelse	Speedpedal
39	790028 Sugestuds i tank	Sugplaid for tank
40	790029 Sugeslange fra tank	Sughous for tank
41	780112 Gummi for fodhviler	Rober for footrest
42	790030 Stop for gummi fodhviler	Stop for rober footrest
43	790031 Tandhjul 57 tds. 1/2";460.00"	
44	790032 Kugleleje 6207 2RS	Bearing 6207 2RS
45	790033 Hjulgaffel bagende Pro/Strø	Weelfork bagend Pro/SPreeder
46	790034 Komplet baghjul til Pro/Strø	Komplait bagweel for Pro/spreeder
46A	790035 Dæk 18x9,50-8	Tier 18x9,5-8
46B	790036 Fælg 700Ax8H2	Weelbase 700Ax8H2
46C	790112 Slange 18x8,50/9,50-8	Snaike 18x8,5/9,5-8
46D	780999 Vægtklods i hjulet	Weight blocks for wheel
46E	790121 Støttebolt Bobman 9 hk 85 mm	Boult for wait in weel 130mm
47	780114 Hyd. motor 160 ccm Danfoss	Hydr. engine Weit 160 ccm



48	60120081	VA12LK1/2 Indskr.Ø12 1/2K	VA12LK1/2-Ø12 1/2K
49	790037	Hjulflange Bobman Pro/Strø	Weelbase Bobman Pro/Spreeder
50	790038	Hyd. slange 1850 mm 90°/lige	Hydr. Hous 1800mm 90degrees
51	790039	Bobman filter elementhus	Bobman filterelementhus
51A	780116	Filterindsats	Hydr. Filter
52	790040	Ventilblok Q35	Ventilblok
53	790041	Sugestuds fra pumpe	Sugplait from pump
55	790043	1/2 slangestuds*	1/2** Housplait
56	790044	Udluftningslange	Hous for air to hydr. tank
57	790045	Motorplade	Motorbuttomplait
58	790049	Gummidæmper for Pro/Strø	Roberfood for Pro/spreeder
59	790048	Hyd. slange 500 mm 90°/lige	Hydr. Hous 500mm 90 degrees
60	790047	Hyd. slange 320 mm 90°/lige	Hydr. Hous 320 mm 90 degrees
61	790046	Hyd. slange 320 mm 45°/lige	Hydr. Hous 320 mm 45 degrees
62	780016	Slangepose 600 mm	Housbak 600mm
63	790050	Sideskærm benzin højre side	Sidegart petrol right
63A	790051	Sideskærm diesel højre side	Sidegarth diesel right
64	790052	Sideskærm benzin venstre side	Sidegart petrol left
64A	790053	Sideskærm diesel venstre side	Sidegart diesel left
65	790054	Hyd. stempel for liftarm	
66	790055	Liftarm for Pro	
69	790058	Komplet forhjul til 1 WD 13x6,50-6	Komplit frontwheel for 1WD 13x6,5-6
69A	790059	Komplet forhjul til 3 WD 13x6,50-6	Complete frontwheel for 3WD 13x6,50-6
69B	790113	Slange 1869A	
69C	790114	Dæk 13x6,50-6/4	
69D	790115	Fælg EK 4,50x6 S6205/6205RS sølv	
69E	790134	Kugleleje 6205 2RS	
70	790060	Forgaffel m. lang aksel 1 WD	
71	790061	Forgaffel 1 WD	
72	790062	Forgaffel m. lang aksel 3 WD	
73	790063	Forgaffel 3 WD	
74	790064	Hatz diesel motor	Hatz diesel motor
74A	790118	Luftfilter til Hatz B30	Airfilter for Hatzmotor B30
74B	790119	Luftfilter til Lambordini 8 Hk	Airfilter for Lambordini 8 HP
74C	790120	Luftfilter til Lambordini 11,5 Hk	Airfilter for Lambordini 11,5 HP
75	790065	Indsugningsgitter for Hatz	Sug rist for Hatzmotor
76	790066	Udstødningsholder bagende diesel	Muffertbasis bagend diesel
77	790067	Udstødning på Hatz	Muffert on Hatzmotor
78	790068	Flexrør for udstødning til Hatz	Flexpipe for Muffert for Hatz
79	790069	Hyd. pumpe cassapa 4,8 ccm	Hydr. Pump Galtec 4 ccm
80	60120087	Hyd. fittings Ø12 T m. omløber på midt	Hydr. Fittings Ø12 T
81	60120098	Hyd. fittings Ø12 til 3/8";26.00"	
82	60120097	Indskruining, Ø12 - 1/2";35.00"	

Feedturner

Used to push feed to one side.

User instructions

Mounted on A frame. Lock on top of A frame **MUST** be engaged.

Clean hydraulic couplings before mounting.

Adjust screw conveyor to run on the replaceable plastic rail.

Can be used to push feed from left to right.

Start and stop using handle under steering wheel on left.

Maintenance

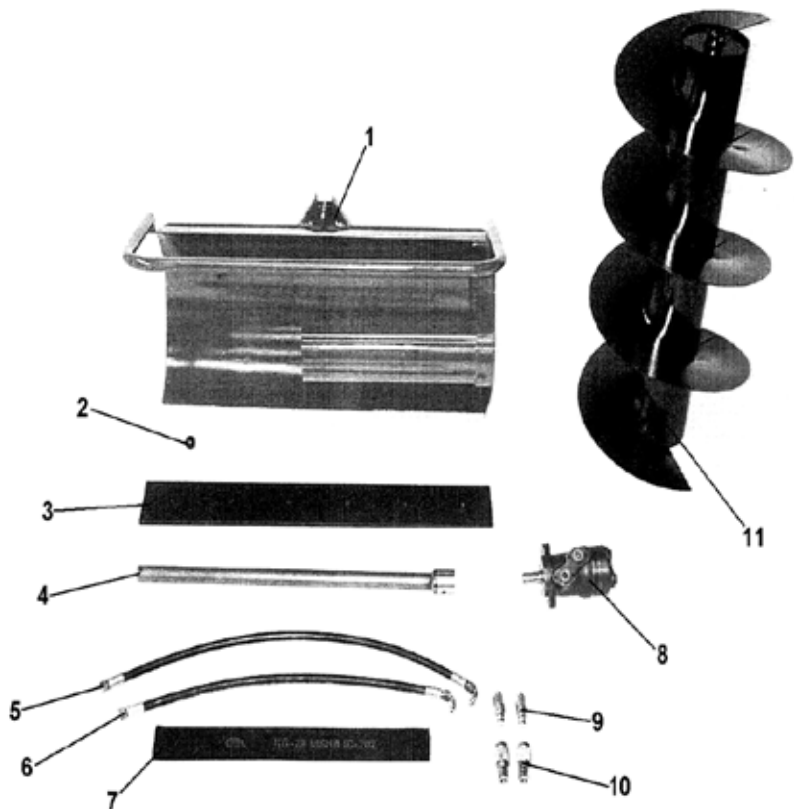
Clean hydraulic snap couplings before mounting.

Clean screw conveyor regularly to prolong service life.

Sealed ball bearings do not need lubrication.

Slide rail under machine is easy to replace.





1	780072	Feedturnerkonsol	
2	780162	Plastikskinne 1050 mm	
3	780073	Plastikskinne 110 cm	
4	780074	Hovedaksel Ø30 f. feedturner	
5	780075	Hyd. slange 3/8 950 mm"	
6	780042	Hyd. slange 3/8 750 mm m. 90° bøjning"	
7	780016	Slangepose 600 mm	Housbak 600mm
8	780076	Hyd. motor OMR 100 ccm m. endeport	
9	780019	Hyd. kobling han	
10	780018	Hyd. kobling hun	
11	780077	Snegl f. feedturner	

Double brush

Can work on right or left. Can also brush into and away from the centre with optional extra accessory.

Can be replaced by steel brush for mechanical removal of weeds between slabs and stones etc.

Use a 19 mm wrench to adjust.

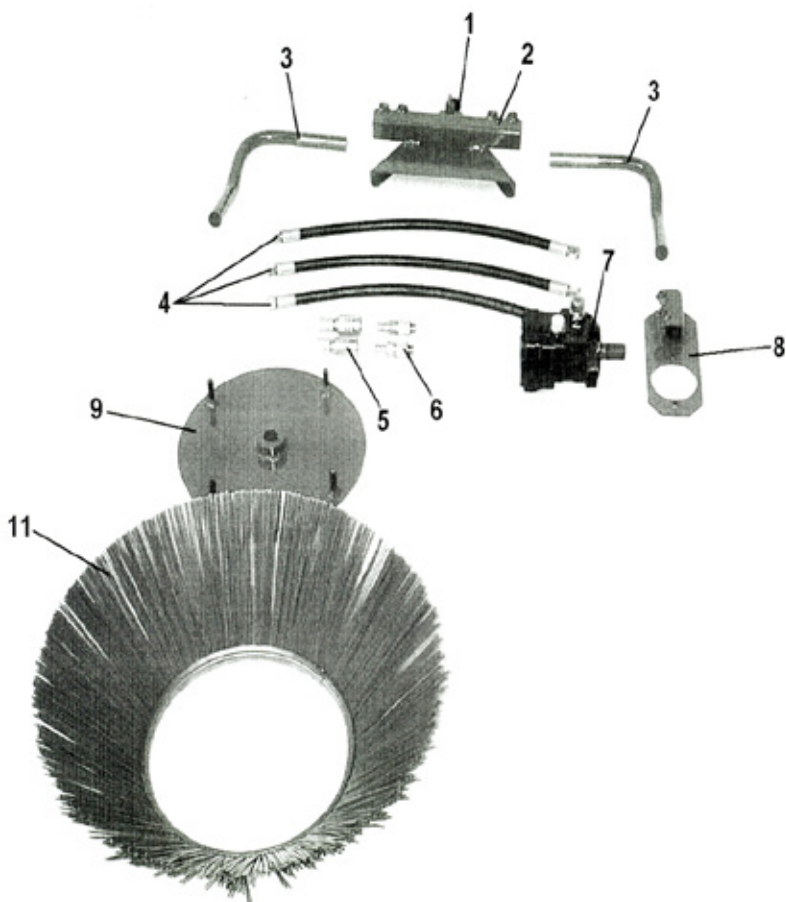
Each brush is 650 mm diameter.

Maintenance

Clean hydraulic snap couplings before mounting.

Clean machine regularly to prolong service life.





1	780162	Plastikskinne 1050 mm	
2	780058	A-ramme f. dobbeltkost	
3	780059	Højre og venstre arm for dobbeltkost	
4	780014	Hyd. slange 3/8 600 mm"	
5	780018	Hyd. kobling hun	
6	780019	Hyd. kobling han	
7	400862	Hyd. motor GMR 100, Hydr. 8 HK	Hydr. motor GMR 100 Hydr. 8 HP
8	780060	Motorbeslag f. dobbeltkost	Motorbasis for dobbelt sweep
9	780061	Kosteskive f. dobbeltkost	Sweeperdisk f. dubb. sweeperdisk
10	780062	Påspændingsbeslag f. dobbeltkost	
11	790085	Kost Ø750 mm	Sweep Ø750mm
	780110	Skive og kost til dobbelt sweep	Feather with broom 600mm
12	780064	Kosteskive f. ukrudtsbørste	
13	780065	Fladstålstot f. ukrudtsbørste	
13A	780140	Ukrudtsbørste for Bobman	
	780130	Skive med ukrudtsbørste	Feather with steel Broom

Sweep-up

Collection box is an optional extra. Side brush (optional extra) can be mounted to brush right up to kerbs.

Use a 17 mm wrench to adjust.

Side brush is \varnothing 300 mm diameter.

Cylindrical brush consists of 6 x brush rails.

When cylindrical brush is worn, it can be lowered to align with collection box height, extending service life.

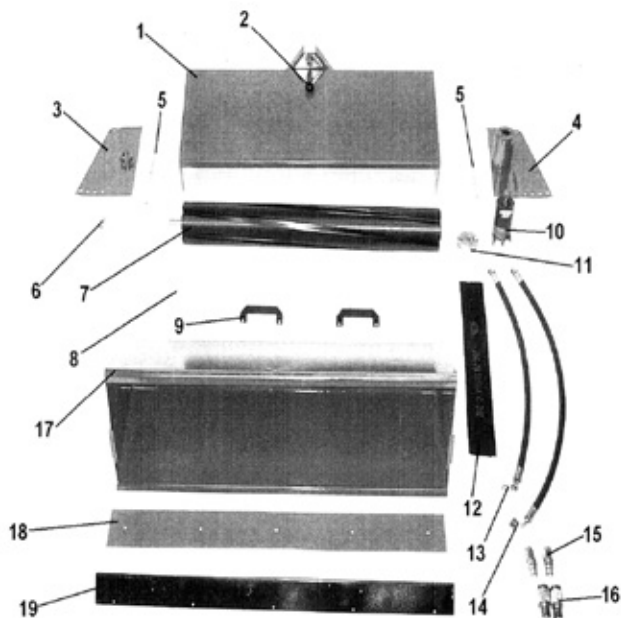
Maintenance

Clean hydraulic snap couplings before mounting.

Sealed ball bearings do not need lubrication.

Clean machine regularly to prolong service life.





1	780031	Kostekonsolhus f. cylinderkost	
2	780162	Plastikskinne 1050 mm	
3	780032	Sideplade højre side m. 6004 leje	
4	780033	Sideplade venstre side f. motor	
5	780034	Låsepal for opsamlerkasse	
6	780035	Strammekabel for låsepal m. fjeder	
7	780036	850 mm kostetrommel m. 6 T.spor	
8	780037	850 mm kosteskinne	Sweep band
8A	780138	6 stk. 1050 mm kosteskinner	all-pro (sweepup)
8B	780085	Plastikskinne f. mostrimmer	
8C	780720	Mostrimmer fjederbøjler	
8D	780710	Kuglehane	
9	780038	Håndtag	
10	780039	Hyd. motor vinkelflange OMM 50 ccm	
11	780041	Bøsning f. motor t. cylinderkost	
12	780016	Slangepose 600 mm	Housbak 600mm
13	780042	Hyd. slange 3/8 750 mm m. 90° bøjning"	
14	780043	Hyd. slange 3/8 900 mm m. 90° bøjning"	
15	780019	Hyd. kobling han	
16	780018	Hyd. kobling hun	
17	780044	Opsamlerkasse	
18	780045	Gummi f. opsamlerkasse	
19	780046	Påspænding f. gummi	
2	780079	Vippearm f. sidekost	
3	780018	Hyd. kobling hun	
4	780019	Hyd. kobling han	
5	780084	Hyd. slange 3/8 1200 mm"	
6	780016	Slangepose 600 mm	Housbak 600mm
7	780039	Hyd. motor vinkelflange OMM 50 ccm	
8	780050	Hyd. fittings f. OMM 50 ccm Danfoss	
9	780080	Motorbeslag f. sidekost t. cylinderkost	
10	780081	Spændeskive for kost m. Ø6	
10A	780082	Kosteskive f. sidekost t. cylinderkost	
11	780083	Kost Ø300 mm	Sweep Ø300 mm

Scraper

Used for grooved flooring behind cattle.

Side brush clears rear of stall, and can be swung from side to side from the driver's seat.

Use a 19 mm to adjust height.

Rubber blades on scraper are easy to replace.

Scraper 100-120 cm wide.

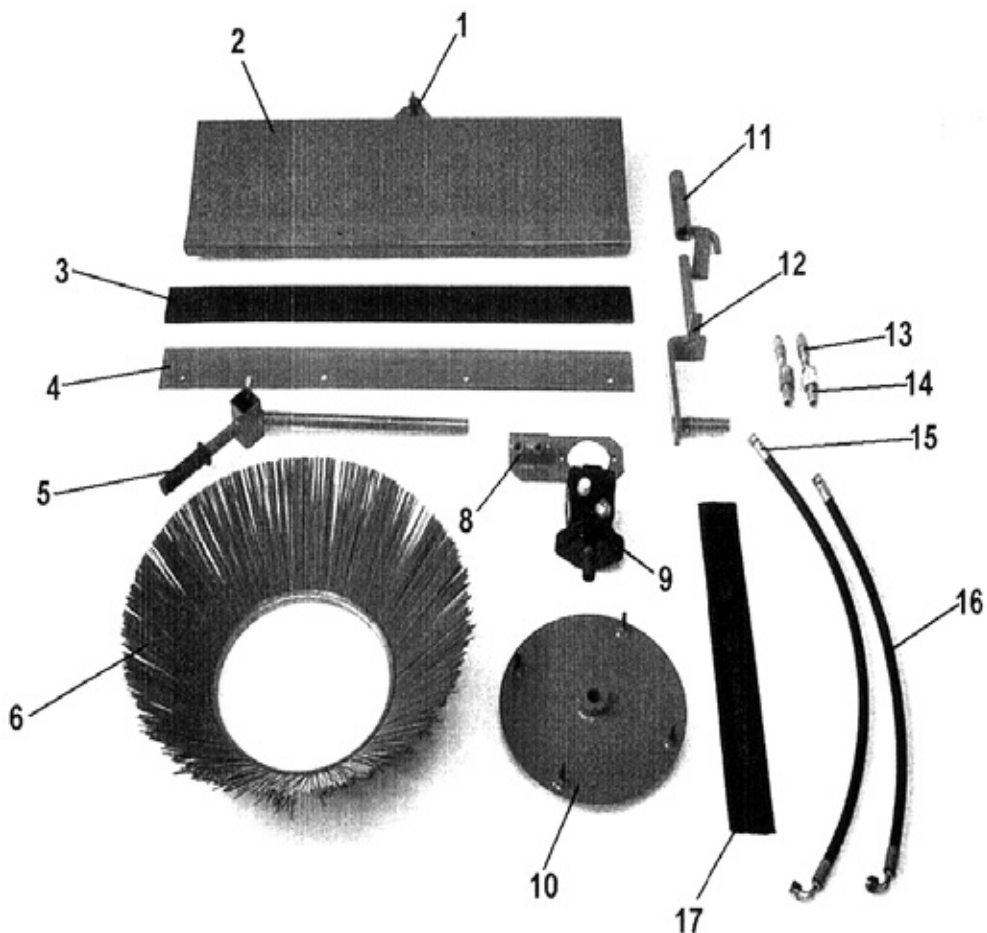
Side brush is 650 mm diameter.

Maintenance

Clean hydraulic snap couplings before mounting.

Clean machine regularly to prolong service life.





1	780162	Plastikskinne 1050 mm	
2	780066	Skraberkonsol	
3	780067	Skrabegummi, Bobman S, FL	Schraberrober, Bobman S, FL
4	780068	Skinne f. skrabegummi	Rail for schraberrober
5	780069	Svingarm f. sidekost	
6	780120	Kost Ø650 mm	
7	780062	Påspændingsbeslag f. dobbeltkost	
8	780060	Motorbeslag f. dobbeltkost	Motorbasis for dobbelt sweep
9	400862	Hyd. motor GMR 100, Hydr. 8 HK	Hydr. motor GMR 100 Hydr. 8 HP
10	780061	Kosteskive f. dobbeltkost	Sweeperdisk f. dubb. sweeperdisk
11	780070	Svingrør f. sidekost	
12	780071	Hjulgaffel for sidekost	
13	780019	Hyd. kobling han	
14	780018	Hyd. kobling hun	
15	780043	Hyd. slange 3/8 900 mm m. 90° bøjning"	
16	780042	Hyd. slange 3/8 750 mm m. 90° bøjning"	
17	780016	Slangepose 600 mm	Housbak 600mm

Mini spread

Mini spreader box for disinfectant

The box can be mounted on the left side of Bobman S and FL

Attach hydraulic hoses on return side from screw conveyor in the bottom of the Bobman spreader box

Obtain diagram from Jydeland.

- 1 Fill box with lime/disinfectant
10 litres = 15 kg
- 2 Start spreading using the ball-topped handle on the box
- 3 Dosing can be adjusted in the box under the lid.

Cleaning

Do not wash the mini spreader box, unless cleaning it 100%. Moisture and lime will coagulate, and the screw conveyor can sieze.

Spreader hatch

Disinfectant is spread by rotating brush bristles

Lubrication

Spay oil using a thin pipe. There are no grease nipples.

Safety

Never put your fingers or any other object into the screw conveyor or blower unless the machine is stopped
The grille in front of the exhaust must not be damaged or removed



Filling

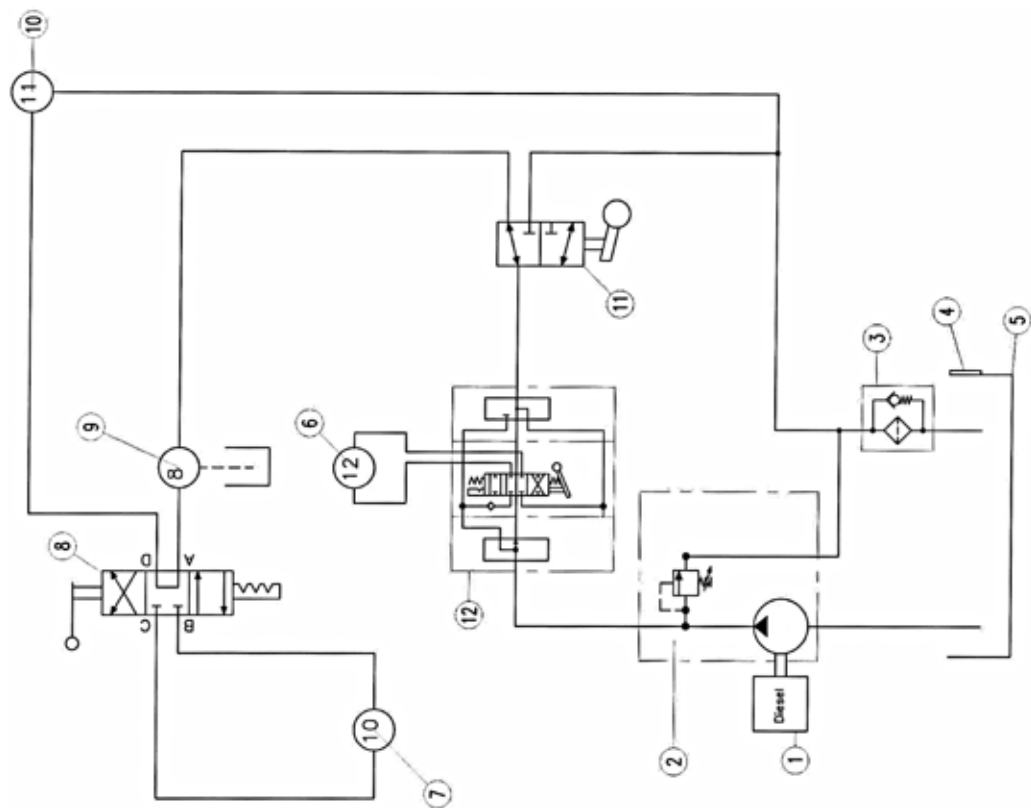
Disinfectant is poured in here. Do not compress in the box.



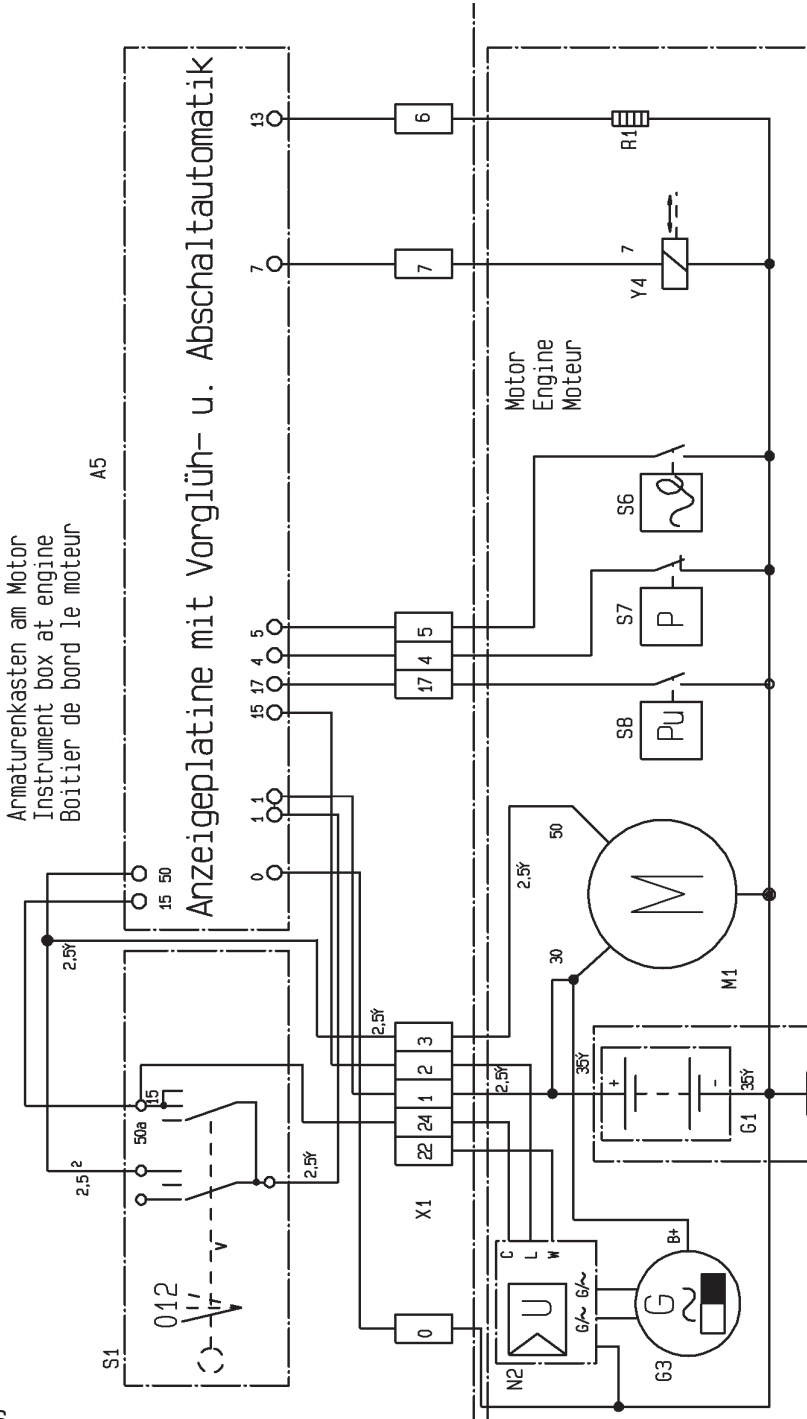


1	780701	MS15 Kasse
2	780702	Låg for kasse
3	780703	Snegl med blæser
4	780704	Kugleleje for snegl
5	780705	Juster spjæld
6	780706	Sikkerhedsgitter
7	780707	Beslag til kasse
8	780708	Blæsehus
9	780709	Lille sikkerhedsgitter
10	780710	Kuglehane
11	780038	Håndtag
12	780712	Spec. bolt for fodhviler
13	780713	Hydr. motor omm 8 Danfoss

Hydraulic diagram



Wiring diagram



Anstrumentkasten am Motor
Instrument box at engine
Boitier de bord le moteur

A5

Anzeigepult mit Vorglüh- u. Abschaltautomatik

Motor
Engine
Moteur

Motorabstellung
Motor shut-down
Arret du moteur

Überwachung + Anzeige
Monitoring + display
Surveillance + temoin

Startereinrichtung
Starting device
Dispos. de demarr.

Stromversorgung / Ladeeinrichtung
Power supply / Charging device
Alimentation electr. / Chargeur

Hinweis: Jede Änderung der Verdrahtung erfordert eine Rücksprache mit dem Werk !
Instruct.: Any changes in the wiring require a consultation of the factory !
Remarque: Avant de modifier le cablage, contacter l'usine !

Alle Leitungen ohne Querschnittsangaben sind 1².
All wires without conductor cross section data are 1².
Tout les cables sans indication de section sont de 1².

**Declaration of conformity
CE marking**



Jydeland Maskinfabrik A/S

Drammelstrupvej 2, Tirstrup – 8400 Ebeltoft – Denmark

Tel: 0045 86363300 – www.jydeland.dk

Declares herewith that

Machine: Bobman with diesel/petrol engine has been
manufactured in accordance with Council Directive
2006/42/EC of 29 December 2006

Signature

Flemming Gits Jensen



Type: Type designation _____

År: Month and year _____

Nr.: Sequential serial number _____

