



BOBMAN FL

INSTRUCTIONS



UK 40-2011



READ BEFORE USE!



INTRODUCTION

Thank you for your interest in the Jydeland Bobman. We trust you will gain a lot of satisfaction from your purchase for many years and that your Bobman will fulfil your expectations.

Please read these instructions before using the machine.

The primary functions, maintenance and safety will be covered in the following pages. This is a product for professional use only. Instructions in use of the machine comply with the checklist enclosed, which can also be used for a service agreement. If further training or a follow-up visit are required, please contact Jydeland A/S .

Enjoy!





WARNING

WARNING

A Bobman can only be used outdoors or in a well-ventilated room, as the exhaust gas contains highly toxic CO².

The machine can only be operated by the driver sitting in the driver's seat with at least one hand always on the steering wheel and both feet resting on the foot rests or pedals.

Do not start machine if any covers are removed or defective.

Not suitable for use on very hilly terrain due to risk of tipping over. That risk is increased significantly when appliances are attached.

Noise level for normal use exceeds 80db. The use of ear protectors is recommended.

We recommend that the operator wears a dust mask for spreading work.

The Bobman is for professional use by trained personnel only.

WARNING SYMBOLS

There are yellow warning stickers on the machine indicating where extra caution must be exercised. These are instructions. Always use the machine with care.

Caution! Always accompanied by another pictogram.

Read in instruction book.

Large rotating screw conveyor. Risk of crushing. Keep arms and legs clear. Machine must be switched off when working on the parts referred to by this pictogram.

Small rotating screw conveyor. Risk of trapping hands. Machine must be switched off when working on the parts referred to by this pictogram.

Rotating blower. Machine must be switched off when working on the parts covered by this pictogram.

Crushing function. Risk of crushing. Keep arms and legs clear. Exercise caution when using this function.

Hearing protectors and goggles. Recommended when operating the machine.



Operation

1 WD / 3 WD

Switch between 1 and 3 wheel drive



Dosing

Handle for adjusting the dosing of spread material.

Tipping

Handle for unloading hopper.

Brush

Pedal for brush start and stop. Rotation right/left. Stop in centre position. Swing brush out. Brush swings in when rotating anticlockwise.

Shaker

Shakes material loose in the event of clumping.

Spreadmachine and brush

Starts and stops the hydraulic motors for the brush and spreader

Throttle

Engine RPM

Starting diesel engine

Turn key under seat to start diesel engine.

Scraper

Handle for raising, lowering and adjustment of scraper height.

Drive

Press pedal on right for forwards and lift pedal for reverse.

Battery

12 V sealed battery. Keep terminals clean.

Fuel

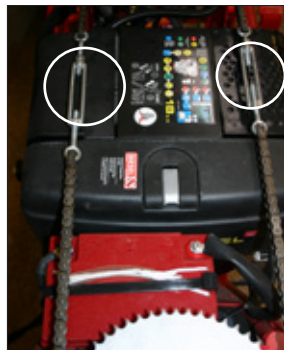
Fuel filler cap under seat.

Extra weight for back wheel

A weight can be fitted to the back wheel.

Solid wheel

Available with solid wheel.



Steering

Back wheel is turned by chains from steering wheel passing under seat.

Remove seat and top panel to adjust.



Adjusting brush



Blower housing

Brush

Brush weighs approx. 80 cm and can be replaced.

19 mm spanner required to adjust up and down on swing arm.

Engine arm can be turned further.

Rear of brush must be approx. 5 cm clear of ground when brushing

Accessories for different box heights can be ordered (parallelogram).

Blower

The blower nozzle can be turned downwards to direct spreading upwards or downwards.

Baffle opening and engine RPMs determine how much material is spread!



Never put fingers, arms or objects in blower nozzle, conveyor screw and brush if engine and hydraulics are running.



STOP machine if any foreign object blocks blower!!!



Adjustment of scraper height using 19 mm spanner



Rubber on scraper can be replaced.

Using the Bobman spreader

- 1** Fill hopper with sawdust or chopped straw, 3-8 cm pieces, by lowering and driving into sawdust/straw pile.
- 2** Lower scraper onto ribbed floor.
- 3** Start hydraulics on right side of steering wheel. (on/off)
- 4** Start brush using left pedal. The brush will automatically deploy. Release pedal to stop brush and return it to transport position.
- 5** Open baffle in hopper for quantity to be spread..
- 6** Shake hopper by hand if necessary to loosen material.

Working in barn - important!

- Floor must be scraped clean twice (or more) times daily
- Bed must be swept clean and dry
- Thin layer of sawdust or chopped straw spread over bed

Maintenance

Cleaning

Always keep engine clean - use compressed air if necessary. Avoid blowing directly into air filter. Replace air filter often to avoid reducing engine power due to dust in air. The machine can also be cleaned by high pressure washer, but never aim jet directly at air filter, breather pipe for hydraulics under seat, diesel filler cap, wiring and electronics.

Tightening up and damage

Tightening up screws and bolts must be done regularly.

Always repair any damage immediately after discovery.

Weekly check

Check there is sufficient oil in engine (W15-40).

Monthly check

Check level of hydraulic oil in sight glass on right side of machine (HV32 / HV46).

Lubrication

Lubricate steering chain with oil (spray-on chain oil is recommended).
Lubricate ball joints with no grease



nipple and universal joint on steering column with oil. kugleled som ikke har nipler smøres også med olie.

Hydraulic oil

Hydraulic oil level must be in centre of sight glass.

Replace hydraulic oil after analysis or 2000 hours.

Fill hydraulic oil (HV32 / **HV46**) at filter on right side of hydraulic oil tank.

Hydraulic oil filter

Change hydraulic oil filter first time after 50 hours and thereafter every 500 hours or once annually. **NB:** if oil colour is milky white, there is water in the system. **Change oil.**

Steering

Back wheel is turned by chains from steering wheel passing under seat. Remove seat and top panel to adjust.

Battery

12 V sealed battery.
Keep terminals clean.

Hatz

Air filter

Change air filter if blocked. Blow filter clean from inside out. Engine will overheat if filter is blocked, reducing air intake. It will produce a lot of smoke, traction power will be reduced and fuel consumption increase.

Fuel filter

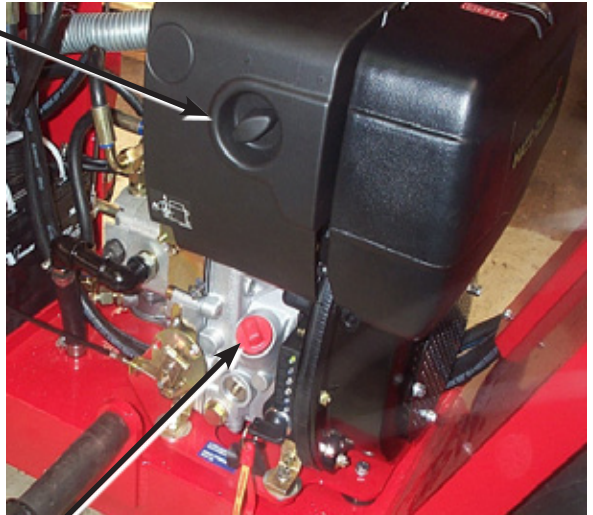
Change fuel filter before it becomes blocked or once annually to avoid problems starting. Fuel filter is in bottom of tank via suspended by a cord from the lid.

Engine oil

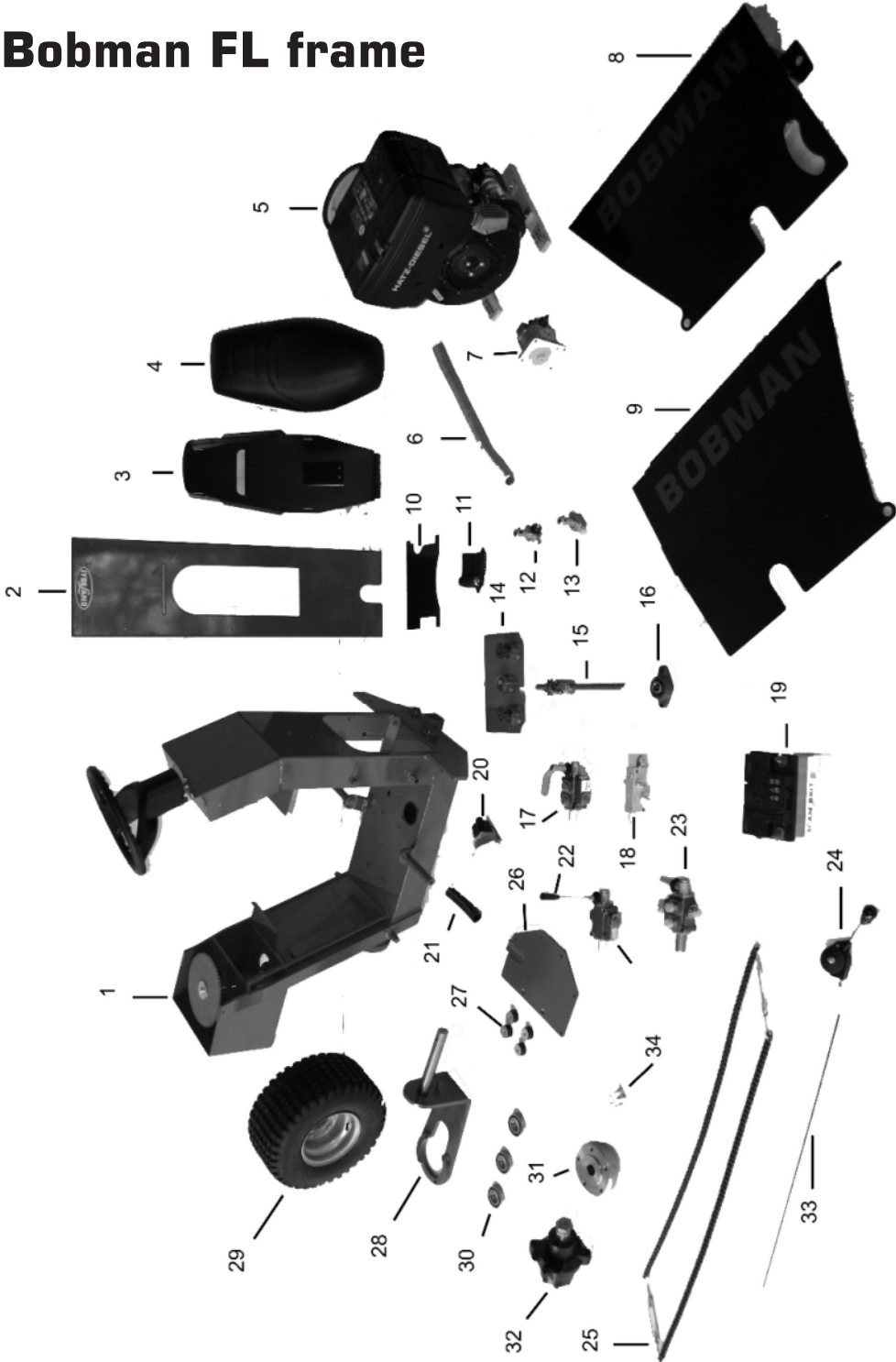
Check oil level. Change engine oil (W15-40) first time after 50 hours and thereafter every 200 hours or once annually. Check engine oil and refill on left side of engine.

Fuel

Diesel fuel filler cap under seat. Open seat access tank.

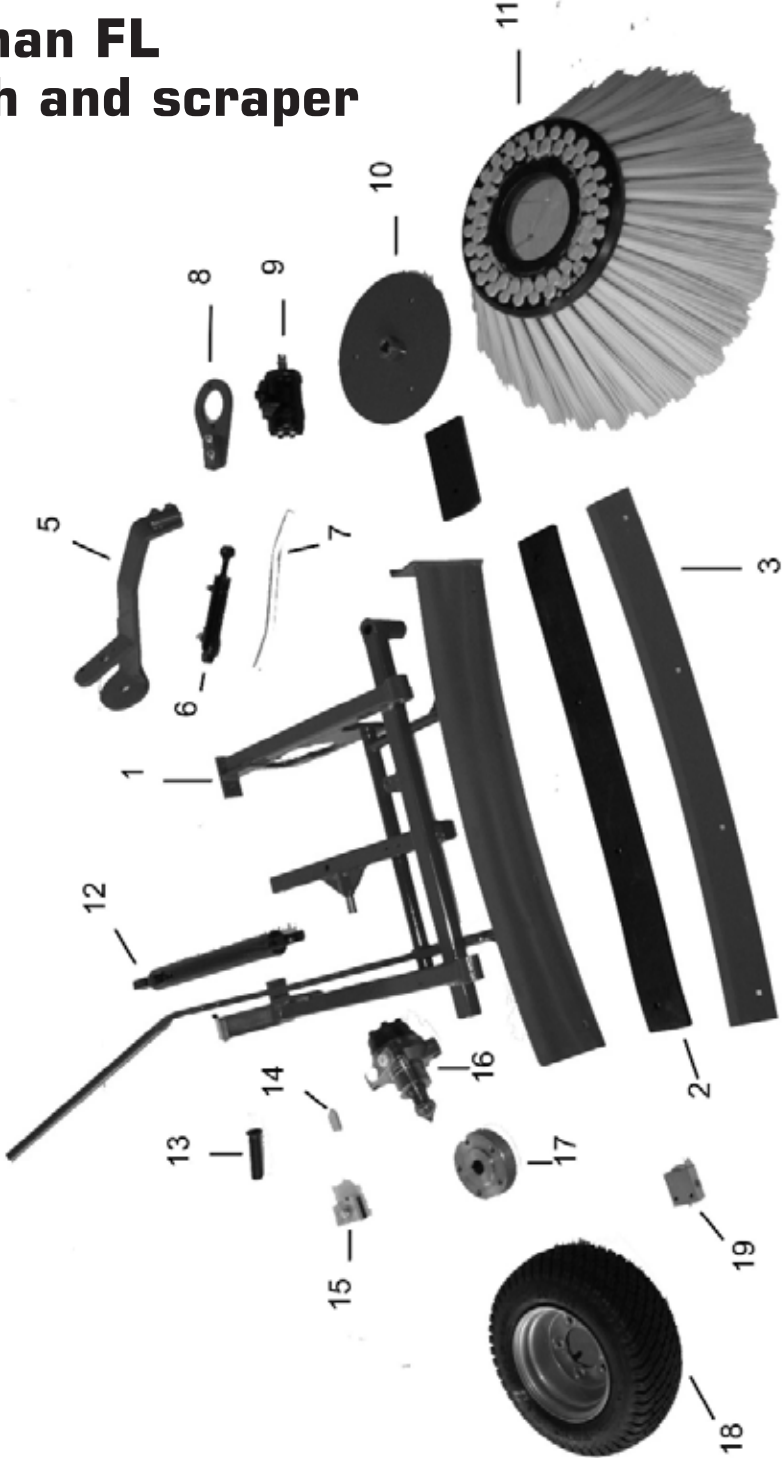


Bobman FL frame



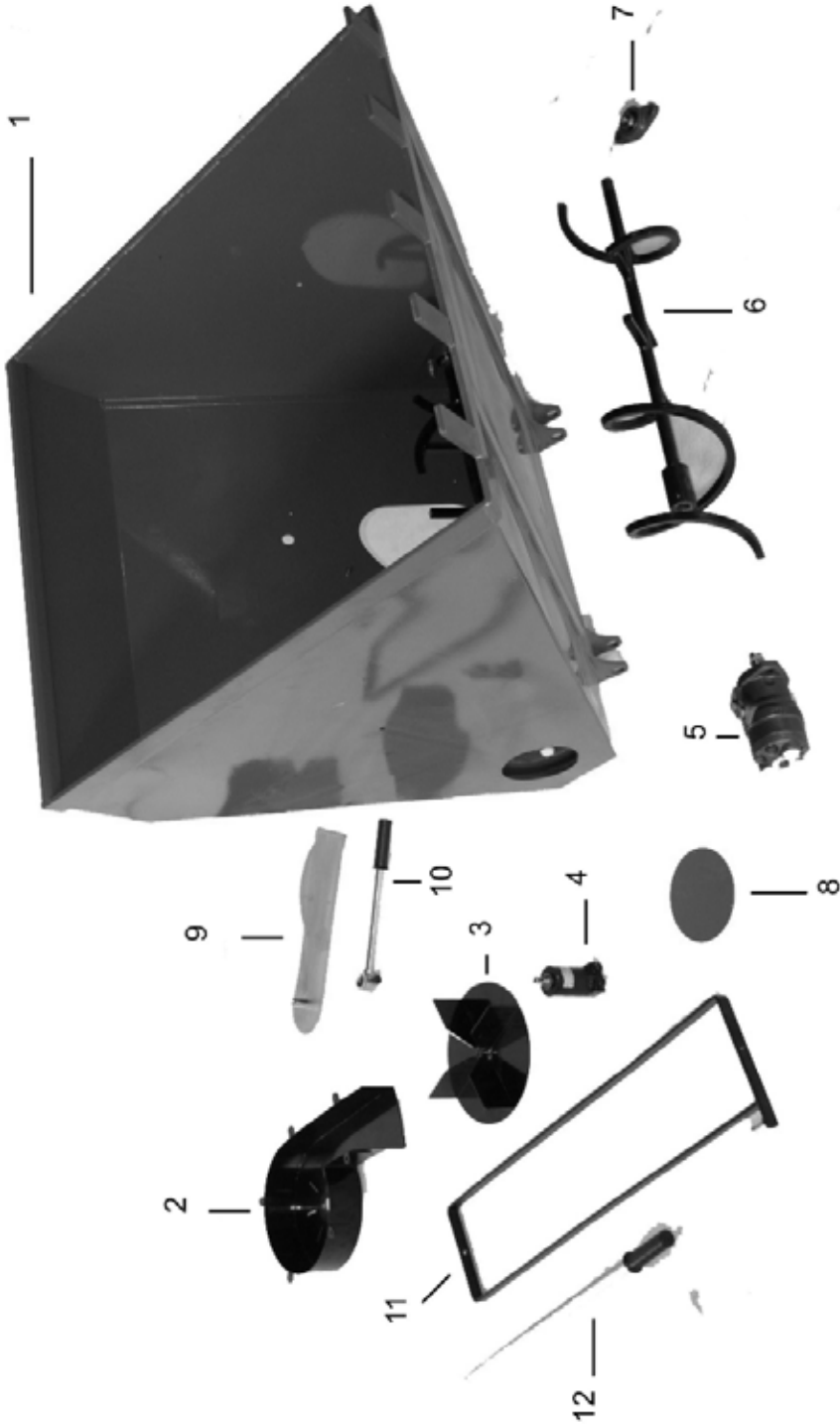
Nr.	Varenr	Navn	Engelsk
1	790000	Bobman Pro chassis	Bobman Pro chassis
2	790001	Sædeskjold Bobman Pro/Strø	Siettopplait Bobman Pro/speed
3	790002	Sædeholder til Bobman Pro/Strø	Sietplait for Bobman Pro/speed
4	790003	Sæde til Bobman Pro/Strø	Siet for Bobman Pro/speed
5	790128	Hatz 1B40U-X 10HK diesel motor	
6	790068	Flexrør for udstødning til Hatz	Flexpipe for Muffert for Hatz
7	795001	Hyd. pumpe Cassappa 4,8 ccm	
8	790051	Sideskærm diesel højre side	Sidegarth diesel right
9	790053	Sideskærm diesel venstre side	Sidegart diesel left
10	790020	Dækplade ved styrekonsol	Gard plaid for steringkonsol
11	795002	Komplet tændingsmondul Hatz	
12	790098	3-vejshane for strøkasse	3way ventil for spreederbox
13	795003	Kuglehane	
14	790019	Styrekonsol Bobman Pro/Strø	Steringskonsol Bobman Pro/Spreeder
15	780098	Rat aksel	Steringshaft
16	790023	Topleje for rataksel	Topbearing for steringshaft
17	790040	Ventilblok Q35	Ventilblok
18	795004	Sikkerhedsventil	
19	790017	Batteri bobman Pro/Strø	Battery for Bobman Pro/Spreeder
20	790039	Bobman filter elementhus	Bobman filterelementhous
21	780112	Gummi for fodhviler	Rober for footrest
22	790040	Ventilblok Q35	Ventilblok
23	790040	Ventilblok Q35	Ventilblok
24	790021	Gashåndtag	Spreeder
25	790025	Kæde komplet Bobman Pro/Strø	Chains komplit Bobman Pro/Spreeder
26	790045	Motorplade	Motorbuttomplait
27	790045	Motorplade	Motorbuttomplait
28	790033	Hjulgaffel bagende Pro/Strø	Weelfork bagend Pro/Spreeder
29	790034	Komplet baghjul til Pro/Strø	Komplait bagweel for Pro/spreeder
30	790032	Kugleleje 6207 2RS	Bearring 6207 2RS
31	790037	Hjulflange Bobman Pro/Strø	Weelbase Bobman Pro/Spreeder
32	780114	Hyd. motor 160 ccm Danfoss	Hydr. engine Weit 160 ccm
33	790022	Gaskabel 750 mm Diesel	Spreederkabel 750 mm Diesel
34	795005	Hjulbolt	

Bobman FL brush and scraper



Nr.	Varenr	Navn	Engelsk
1	795007	FL Understel	
2	780067	Skrabegummi, Bobman S, FL	Schraberrober, Bobman S, FL
3	780068	Skinne f. skrabegummi	Rail for schraberrober
4	790108	Glideskinne 12x100x180 mm	Sleiderrail 12x100x180mm plast
5	795008	Kostearm svingbar FL	
6	791025	Hyd. cylinder 100mm BOBMAN SL	hydr. cylinder 100L
7	790083	Kostearm	Sweeparm
8	780060	Motorbeslag f. dobbeltkost	Motorbasis for dobbelt sweep
9	400862	Hyd. motor GMR 100, Hydr. 8 HK	Hydr. motor GMR 100 Hydr. 8 HP
10	780061	Kosteskive f. dobbeltkost	Sweeperdisk f. dubb. sweeperdisk
11	790085	Kost Ø750 mm	Sweep Ø750mm
12	795009	Cylinder Ø50 400L	
13	790091	Gummihåndtag	Rober handel
14	795010	Stopplade FL	
15	790076	Stop for skraber	Stop for schraberrober
16	795011	Hyd. motor 100 ccm	
17	790037	Hjulflange Bobman Pro/Strø	Weelbase Bobman Pro/Spreeder
18	795012	FL Forhjul 16650-8	

Bobman FL box



Nr.	Varenr	Navn	Engelsk
19	795013	Endestopventil	
1	795006	Strøkkasse for Bobman FL	
2	790078	Blæsehus	Blowerhaus
3	790080	Blæsemølle	Blowermill
4	790079	Hyd. motor 12,5 ccm	Hydr. Motor 12,5ccm
5	790111	Hyd. motor 160 ccm	Hydr. motor 160 ccm
6	792004	Snegl for strøkkasse bobman SL	Scru for spreadmaschine Bobman SL
7	790088	Flangeleje 25 mm FL205 (UC205)	Bearing 25mm FL205 (UC205)
8	790086	Dækplade	Gardplaid
9	790092	Doseringsspjæld	Ajustinglook
10	790094	Håndtag for doseringsspjæld	Stop for Ajustinglook

Mini spread

Mini spreader box for disinfectant

The box can be mounted on the left side of Bobman S and FL

Attach hydraulic hoses on return side from screw conveyor in the bottom of the Bobman spreader box

Obtain diagram from Jydeland.

- 1 Fill box with lime/disinfectant
10 litres = 15 kg
- 2 Start spreading using the ball-topped handle on the box
- 3 Dosing can be adjusted in the box under the lid.

Cleaning

Do not wash the mini spreader box, unless cleaning it 100%.

Moisture and lime will coagulate, and the screw conveyor can sieze.

Spreader hatch

Disinfectant is spread by rotating brush bristles

Lubrication

Spay oil using a thin pipe. There are no grease nipples.

Safety

Never put your fingers or any other object into the screw conveyor or blower unless the machine is stopped
The grille in front of the exhaust must not be damaged or removed



Filling

Disinfectant is poured in here. Do not compress in the box.



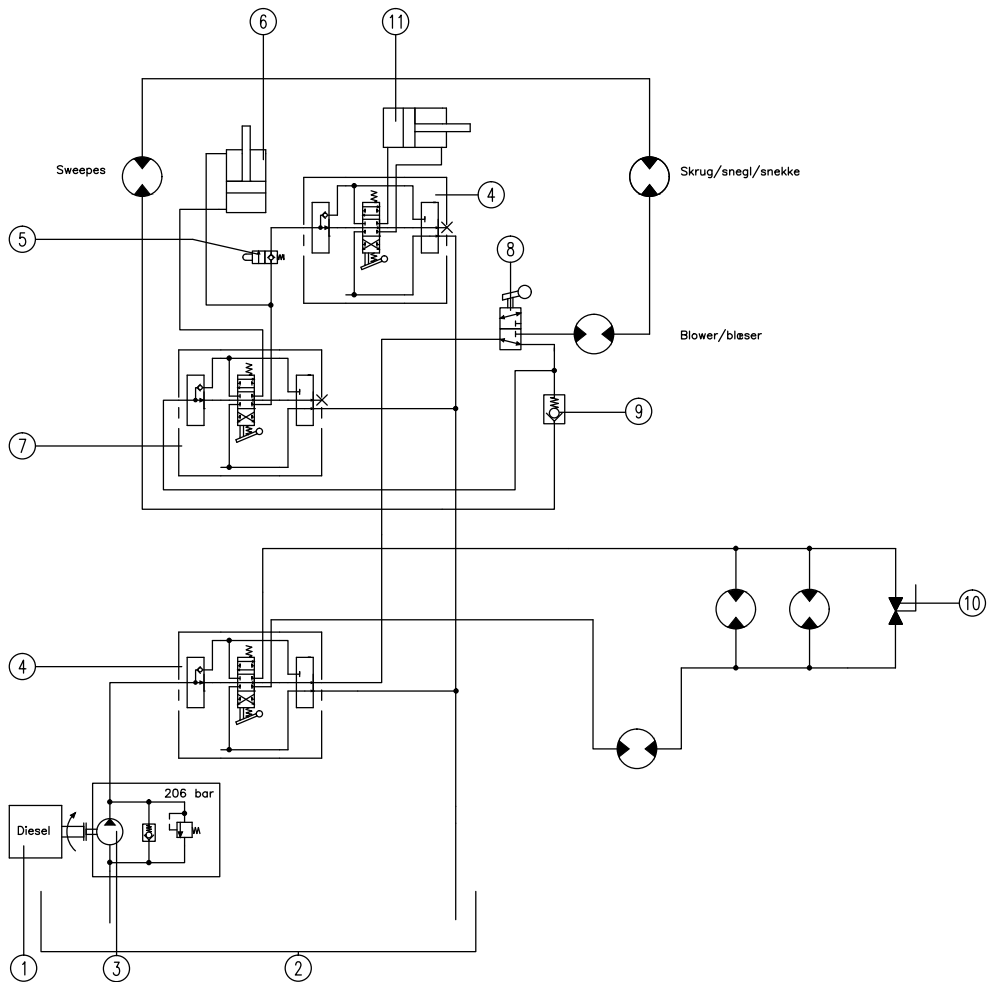


Nr.	Varenr	Navn	Engelsk
11	790089	Ryster for strøkasse	Schaker for spreedmachin
12	790090	Rystearm for strøkasse	Schakerarm for spreedermachin
1	780701	MS15 Kasse	
2	780702	Låg for kasse	
3	780703	Snegl med blæser	
4	780704	Kugleleje for snegl	
5	780705	Juster spjæld	
6	780706	Sikkerhedsgitter	
7	780707	Beslag til kasse	
8	780708	Blæsehus	
9	780709	Lille sikkerhedsgitter	
10	780710	Kuglehane	
11	780038	Håndtag	
12	780712	Spec. bolt for fodhviler	

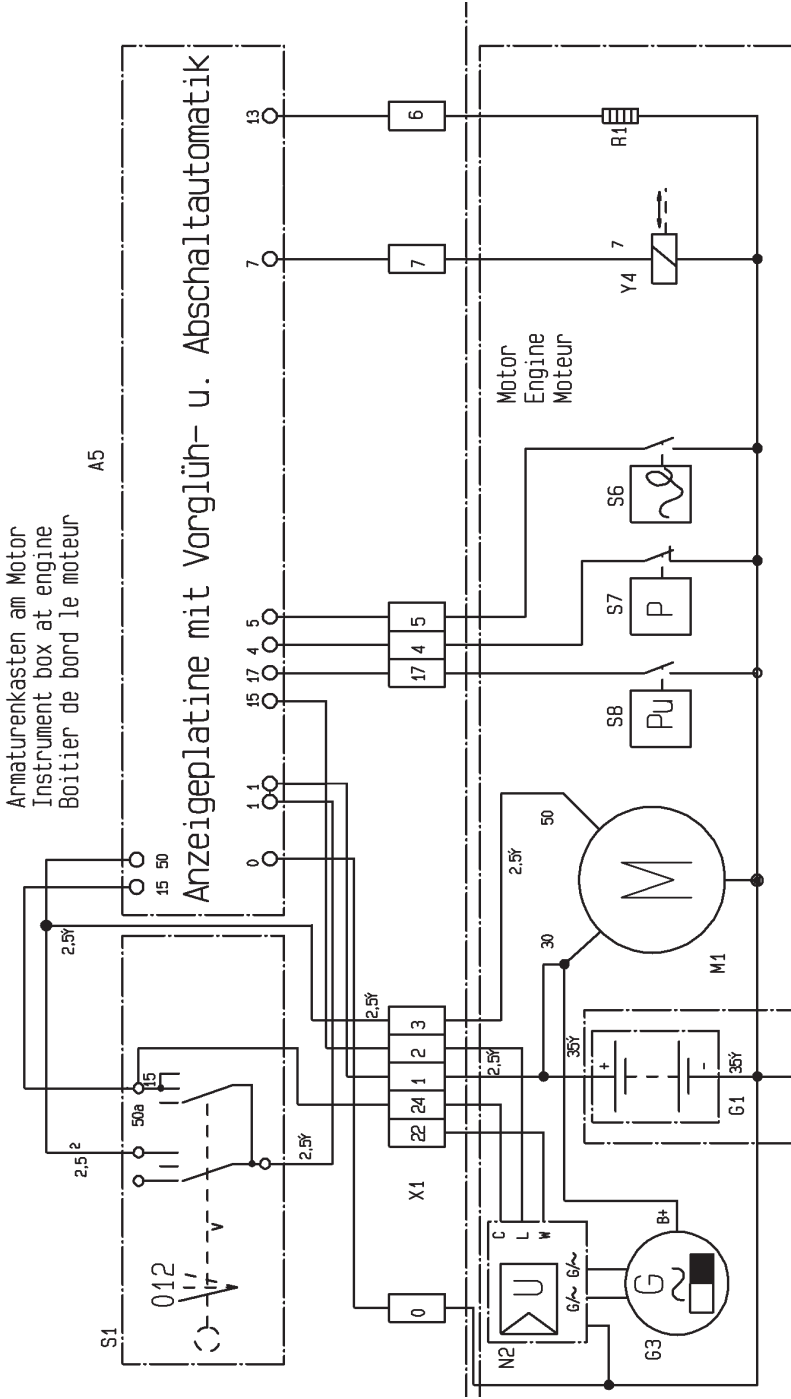
Technical Data

Motor.....	1 cylindret diesel HATZ
Fuel tank.....	5 l
Speed.....	8 km/h
Drive	3 WD
Weight	400 kg
Height.....	1,2 m
Length.....	2,4 m
Width.....	1,0 m
Sweep diameter	0,7 m
Scrape width	1,0 m
Spread distance.....	0-3 m
Capacity.....	500 l

Hydraulik diagram



Wiring diagram



Armaturenkasten am Motor
Instrument box at engine
Boitier de bord le moteur

A5

Anzeigepult mit Vorlüh- u. Abschaltautomatik

Motor
Engine
Moteur

Motorabstellung
Motor shut-down
Arret du moteur

Überwachung + Anzeige
Monitoring + display
Surveillance + temoin

Startereinrichtung
Starting device
Dispos. de demarr.

Stromversorgung / Ladeeinrichtung
Power supply / Charging device
Alimentation elect. / Chargeur

Hinweis: Jede Änderung der Verdrahtung erfordert eine Rücksprache mit dem Werk !
Instruct.: Any changes in the wiring require a consultation of the factory !
Remarque: Avant de modifier le cablage, contacter l'usine !

Sämtliche Leitungen ohne Querschnittsangaben sind 1².
All wires without conductor cross section data are 1².
Tout les cables sans indication de section sont de 1².

Declaration of conformity
CE marking



Jydeland Maskinfabrik A/S

Drammelstrupvej 2, Tirstrup – 8400 Ebeltoft – Denmark

Tel: 0045 86363300 – www.jydeland.dk

Declares herewith that

Machine: Bobman spreader with diesel/petrol engine has been manufactured in accordance with Council Directive 2006/42/EC of 29 December 2006

Signature

Flemming Gits Jensen



Type: Type designation _____

År: Month and year _____

Nr.: Sequential serial number _____

